

L-60.80.08-PP 35288-20

Primary Usage

Reference No.

Sign. and date

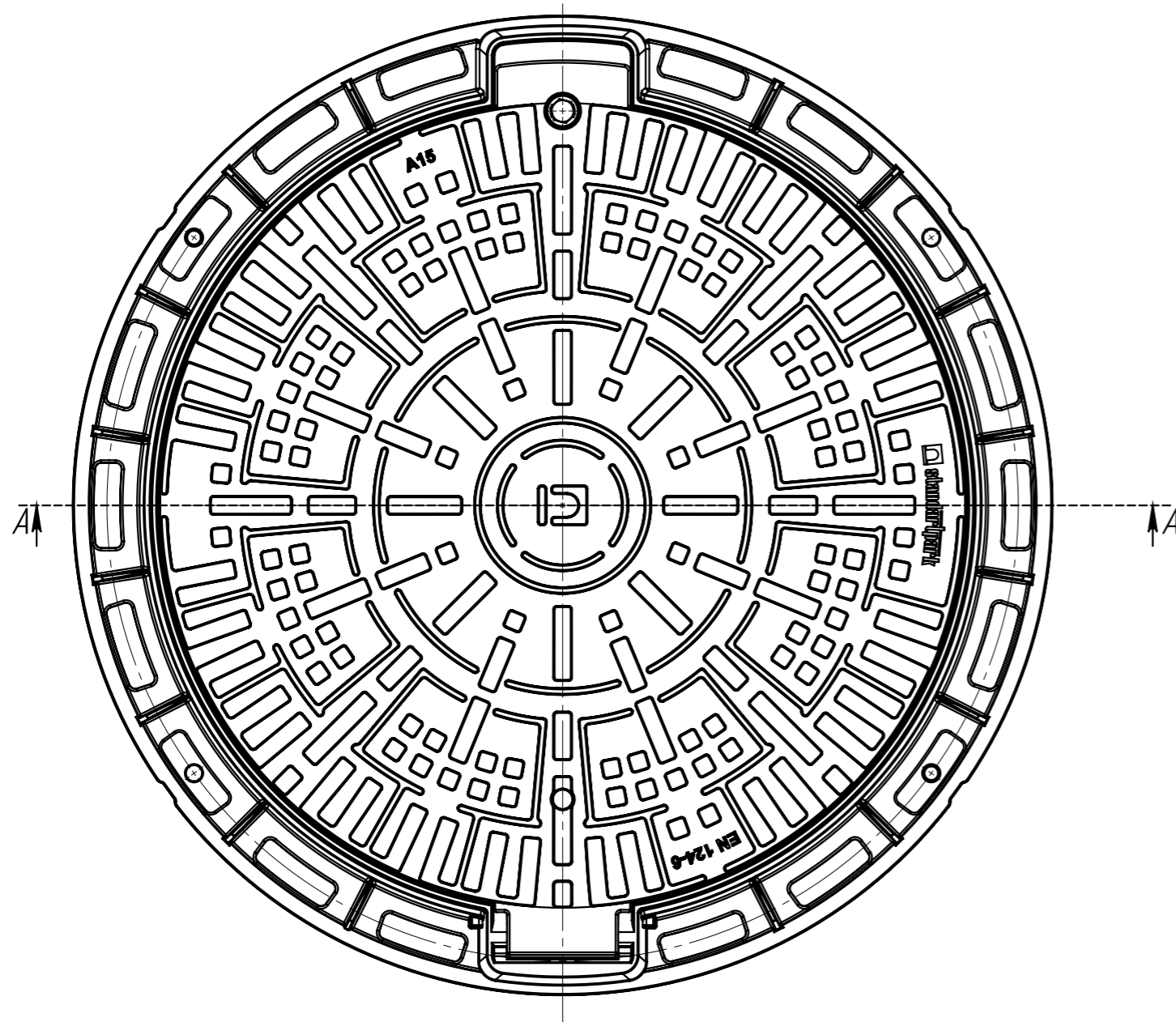
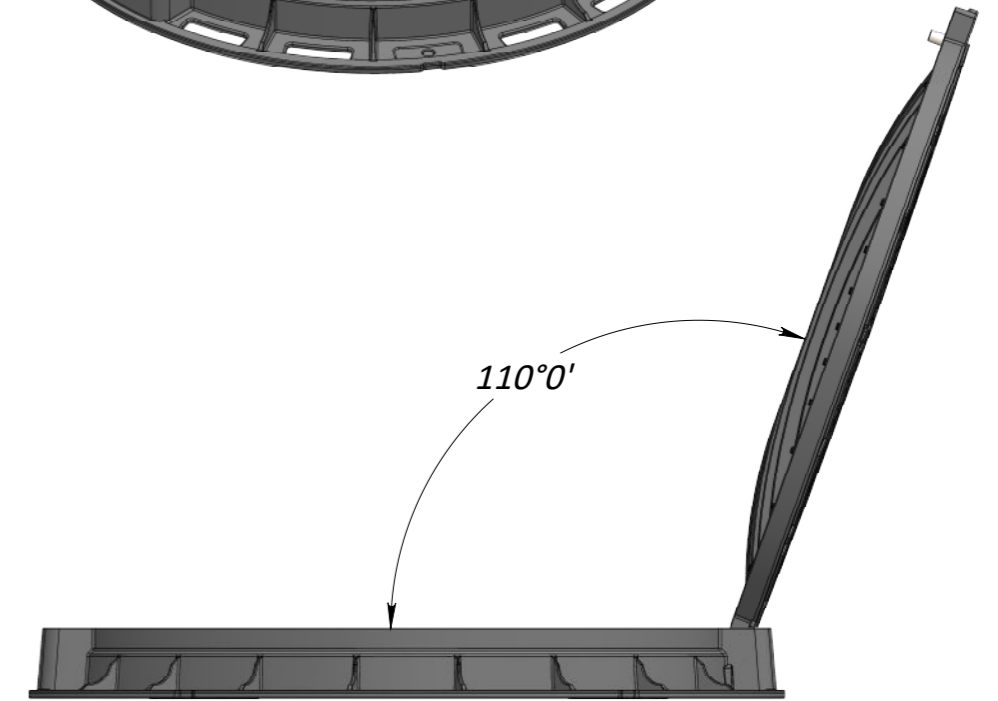
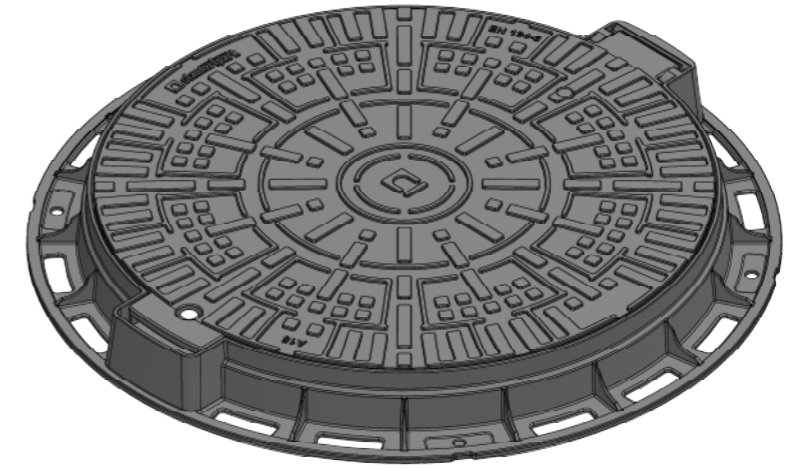
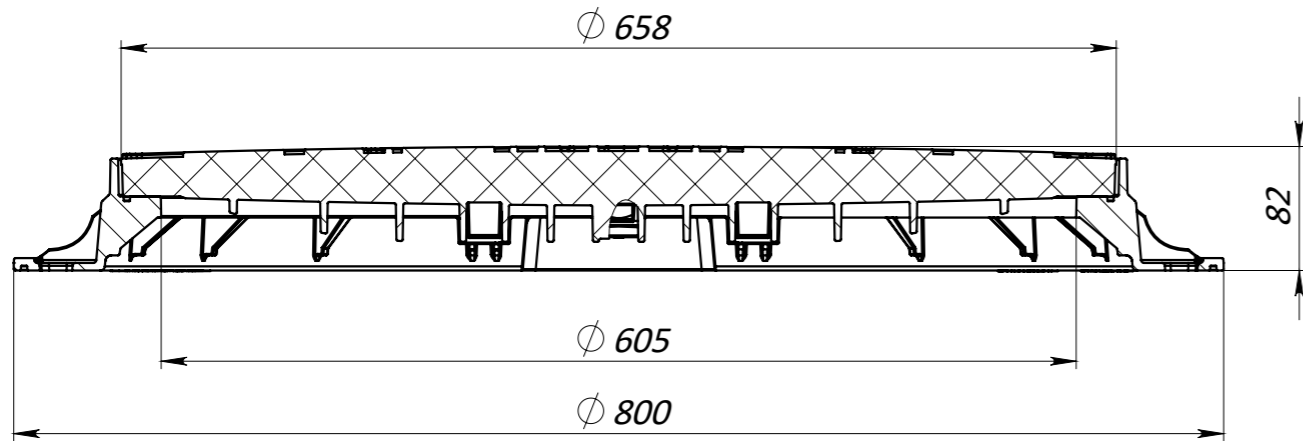
Copy inv. No.

Repl. Inv. No.

Sign. and date

Orig. Inv. No.

A-A



					Art.	35288-20		
					L-60.80.08-PP 35288-20			
Rev.	Sheet	Doc. No.	Sign.	Data	Plastic Manhole	Let.	Weight	Scale
				10.05.17	Load Class A		6.42	1:5
					Plastic	Sheet	Sheets 1	
							